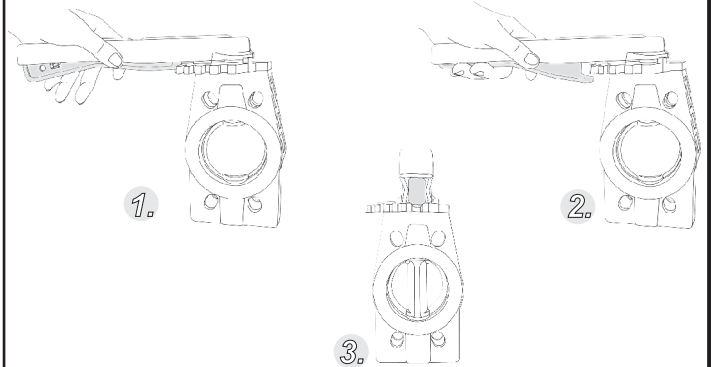


Features:

- PP-GF cover plate
- safety handle system
- corrosion resistant
- long working life, maintenance free
- simple radial installation or removal
- stainless and acid-resistant shaft
- excellent flow rates
- integrated valve support
- excellent valve body and shaft sealing system

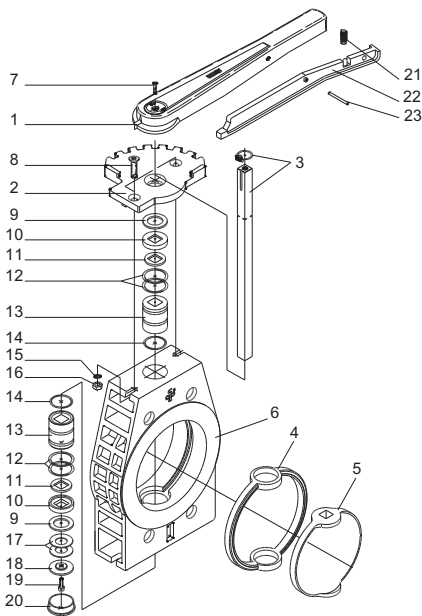
d	90	110	140	160	225
DN	80	100	125	150	200
G	3"	4"	5"	6"	8"
A	270,0	270,0	270,0	380,0	380,0
D	74,5	91,5	116,5	134,0	200,5
C	133,0	155,0	190,0	216,0	274,0
H	259,5	289,0	324,0	353,0	425,0
h	105,0	120,0	130,0	150,0	180,0
J	152,5-160,0	180,0-190,5	210,0-216,0	240,0	295,0-298,0
K	19,0 x 22,8	19,0 x 24,25	22,0 x 26,679	22,0	22,0
L	113,0	113,0	113,0	141,0	141,0
M	77,5	77,5	77,5	94,0	94,0
Z	49,0	56,0	64,0	70,0	71,0
P	9,0	11,0	11,0	11,0	11,0
R	10,0	10,0	10,0	16,0	22,0
S	89,0	89,0	131,0	166,0	166,0
PN	10	10	10	6	6

Safety handle system



Dimensions in mm!

Parts:



01. Handle
02. Cover plate
03. Shaft with snap ring
04. Body sealing EPDM or FPM
05. Disk
06. Body
07. Screw
08. Screw
09. Shim
10. Steady bush out
11. Flatpacking
12. O-Ring
13. Steady bush in
14. O-Ring
15. Shim
16. Nut
17. Disk spring
18. Shim
19. Srew
20. Cover
21. Spring
22. Lever
23. Pin

General:

- Sealing material: EPDM / FPM
- Body material: **PVC-u** - PP
- Dimensions: DN 80 / d 90 - DN 200 / d 225

Operating pressure:

DN 80 / 3" - DN 125 / 5" **10 bar**
 DN 150 / 6" - DN 200 / 8" **6 bar**

Connections:

- Flange *ANSI, ASA, DIN* - DN 80 / 3" - DN 200 / 8"
JIS - DN 80 / 3" - DN 150 / 6"

Technical specification:

For example:
 TYPE PRAHER,
 PVC-u Butterfly valve S4 DN 80 d 90 3"
 Sealing material EPDM
 Safety handle system
 Max. Operating pressure 10 bar

