

2 way ball valve S4

Electric actuator EO510 ECO



Symbol photo

General:

- Material: PVC-U / PP / PVDF
- Sealing materials: EPDM / FPM
- Ball seating joint: PTFE
- Dimensions: DN10 – DN25
d16 – d32
3/8" – 1"
- Voltages: 24V AC / 230V AC

Connector types:

- Solvent socket PVC DIN
- Solvent spigot PVC DIN
- Threaded socket PVC / PP / PVDF BSP
- Flange PVC DIN
- Fusion socket PP / PVDF DIN
- Fusion spigot PP / PVDF DIN

Operating pressure:

DN10 d12 3/8" – DN25 d32 1" 10 bar

Technical features:

- Manual override with visual position indicator
- 4 possible travel stops
- Position feedback possible
- Protection class IP65

This document does not constitute a guarantee, it is for initial information purposes only. The product range is continually upgraded, the designs and types therefore only reflect the state of the art at the time of printing. Subject to technical modifications!



2 way ball valve S4

Electric actuator EO510 ECO



Dimensions:

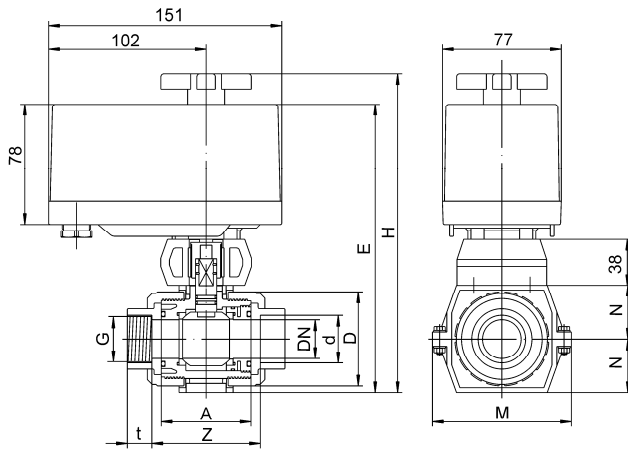


Fig. 1

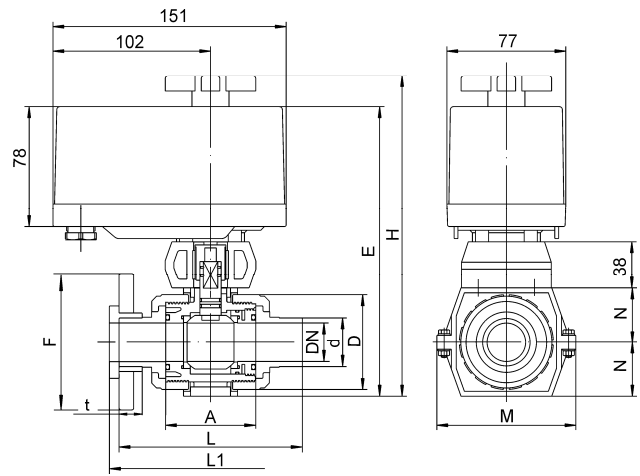


Fig. 2

PVC-U

Connector types

PVC solvent socket / threaded socket (Fig. 1)

PVC solvent spigot / backing flange (Fig. 2)

		DN	10	15	20	25
		d	16	20	25	32
ball valve PVC-U	G ^{TSO} ³		3/8"	1/2"	3/4"	1"
	A		62	62	70	74
	D		53	53	63	70
	F		90	95	105	115
	t ^{SSO} ¹ / t ^{SSP} ²		16,5	16,5	19,5	22,5
	Z ^{SSO} ¹		67,5	67,5	76	81
	Z ^{TSO} ³		67	67	77	81
	L ^{SSP} ²		115	125	145	154
L1 ^{BF} ⁴		120	130	150	160	
bar		10	10	10	10	
bracket / actuator	E		191,5	191,5	205,5	211,5
	H		211,5	211,5	225,5	231,5
	M		113	113	113	113
	N		33	33	40	42

dimensions in mm

¹ SSO = solvent socket

³ TSO = threaded socket

² SSP = solvent spigot

⁴ BF = backing flange



2 way ball valve S4

Electric actuator EO510 ECO

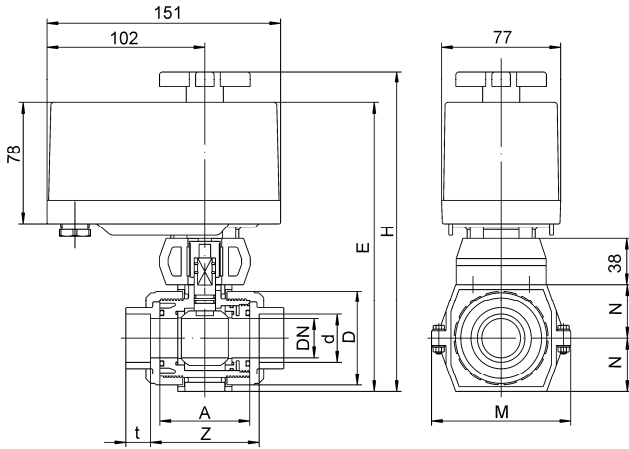


Fig. 1

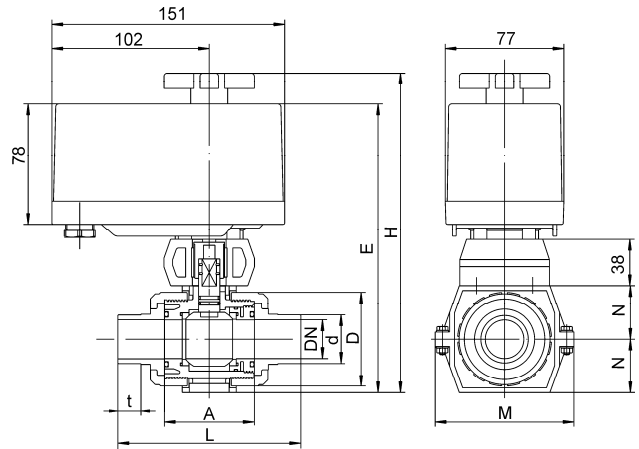


Fig. 2

PP / PVDF

Connector types

PP / PVDF fusion socket (Fig. 1)

PP / PVDF fusion spigot (Fig. 2)

		DN	10	15	20	25
		d	16	20	25	32
ball valve PP / PVDF	D		53	53	63	70
	t_{F¹}		16,5	16,5	19,5	22,5
	t_{F¹}		14,5	16,5	17,5	19,5
	t_{F²}		13	14	15,5	18,5
	Z		67,5	67,5	76	81
	L		114	124	143	152
		bar	10	10	10	10
bracket / actuator	E		191,5	191,5	205,5	211,5
	H		211,5	211,5	225,5	231,5
	M		113	113	113	113
	N		33	33	40	42

dimensions in mm

¹ FSO = fusion socket

² FSP = fusion spigot



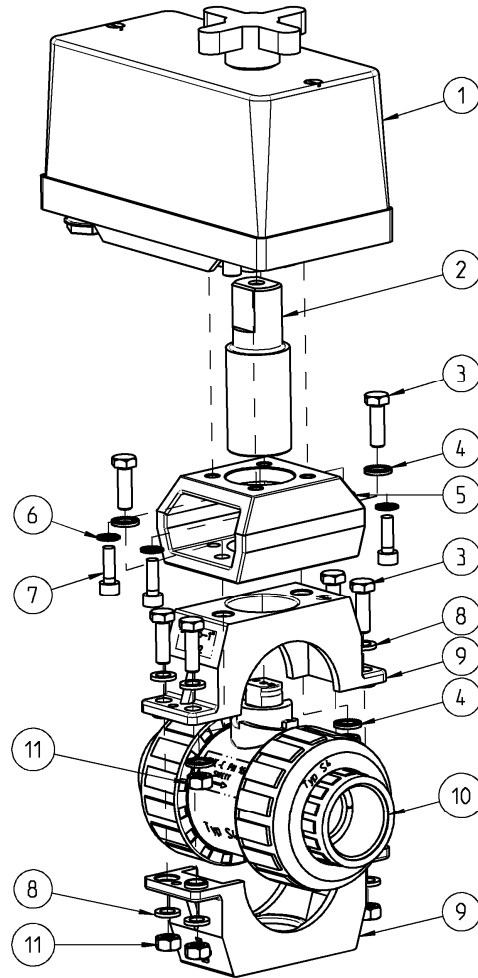
2 way ball valve S4

Electric actuator EO510 ECO



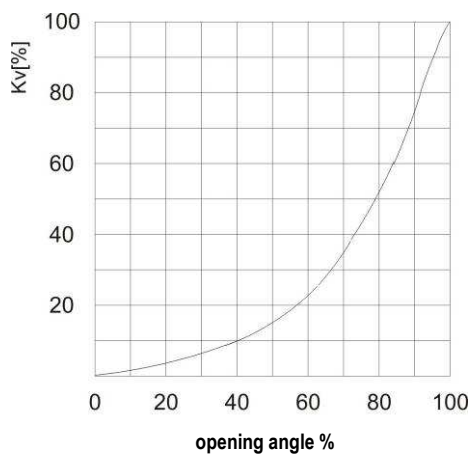
Exploded drawing:

1. EO510 ECO
2. Clutch
3. Screws
4. Tooth wheel
5. Console
6. Tooth wheel
7. Screws
8. Washer
9. Bracket
10. 2 way ball valve S4
11. Nut

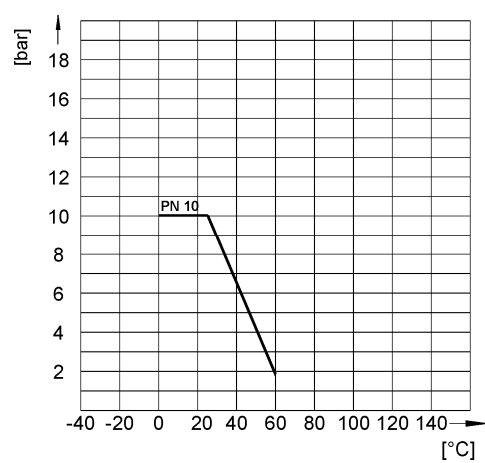


Diagrams:

Flow-Characteristic



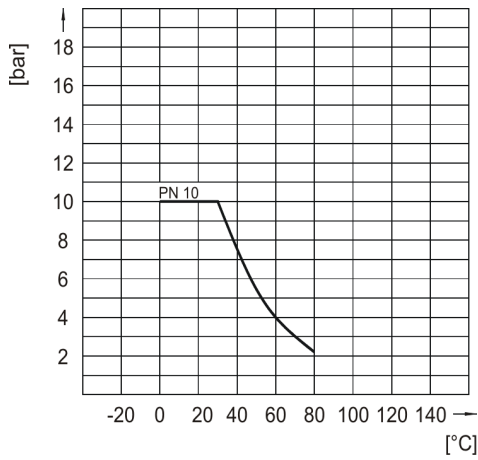
Pressure-Temperature-Diagram – PVC-U



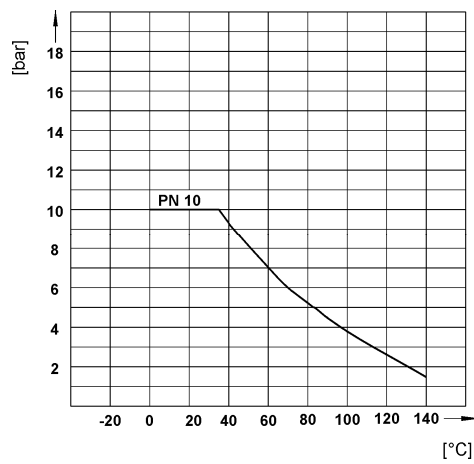
2 way ball valve S4
Electric actuator EO510 ECO



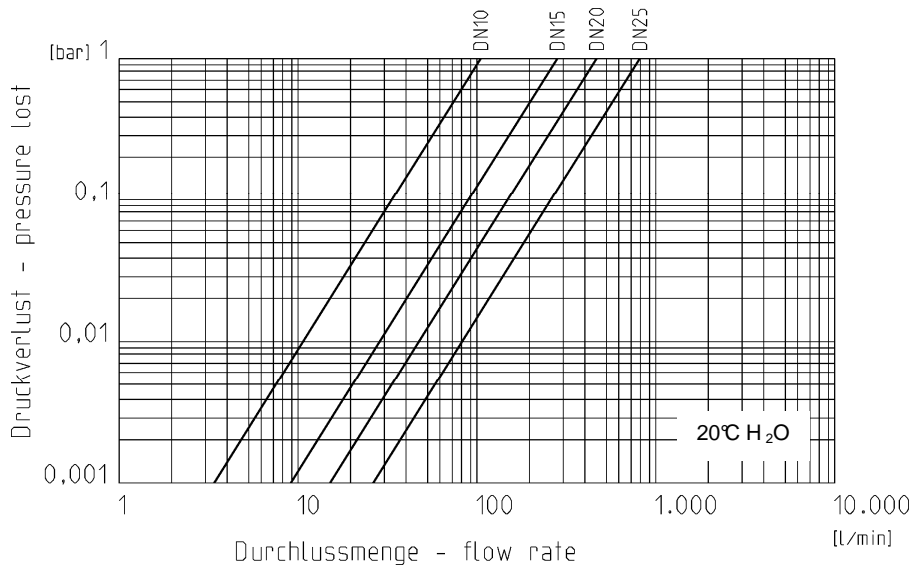
Pressure-Temperature-Diagram - PP



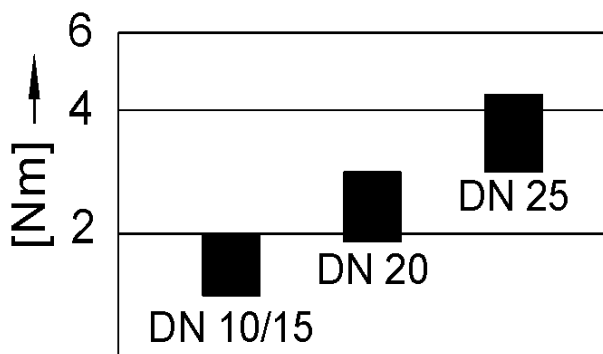
Pressure-Temperature-Diagram- PVDF



Pressure loss-Diagram



Torque



2 way ball valve S4
Electric actuator EO510 ECO



Technical data EO510 ECO:

	EO510 ECO-24	EO510 ECO-230V
Voltages	24V AC	230V AC
Frequency range	50 / 60 Hz	
Power consumption	4 Watt	
Protection	IP65	
Operating time	26 sec 90°	
Rotation angle	360° set to 90° 2 intermediate positions possible	
Duty duration	60% / max. 20 min	
Electrical connection	cable gland	
Nominal torque	7 Nm	
Peak torque	9 Nm	
Temperature	0°C bis + 50°C	
Body material	ABS	
Position indicator	optically (manual override handle)	
Manual override	integrated	

Electrical connection:

**2W KH
EO510 ECO**

24V AC
230V AC
lt. Typenschild
type plate

